

Dea Durga M.

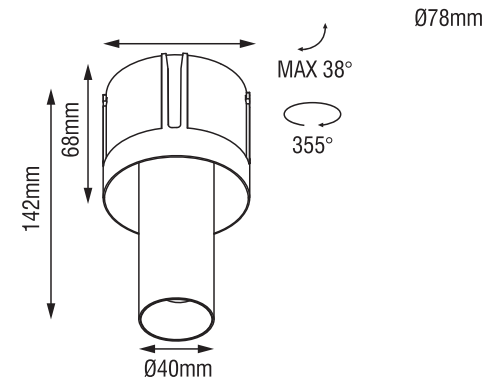


Product specifications

<b>CCT</b>	2700K   3000K   4000K
<b>CRI</b>	90
<b>Optic</b>	Reflector
<b>Beam angle(s)</b>	24°   36°   55°

full spec

View s



For full specifications, light source energy class and identifier please consult the datasheet on our website.

Driver (250mA/36Vf) must be ordered separately.

Several installation frames available; see page 134.

