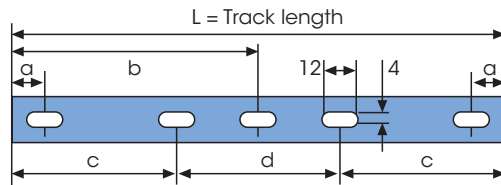


## GLOBAL TRAC SUSPENSION PARTS PRO & PULSE

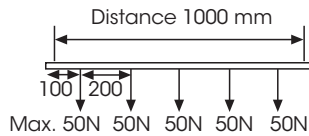
### Predrilled Mounting Holes for Pro & Pulse Tracks:



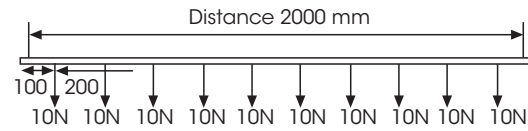
\*Screw diameter max. 4mm

L/mm	a/mm	b/mm	c/mm	d/mm
1000	250	1000	1000	1000
2000	250			
3000	250		1000	1000
4000	250		1500	1000

### Load Capacity:



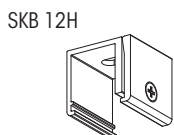
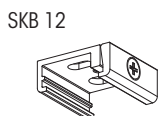
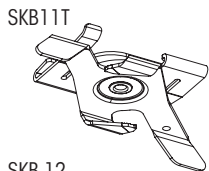
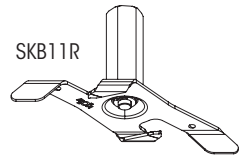
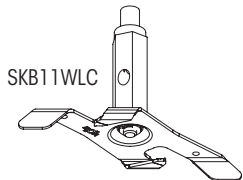
Max. 50N 50N 50N 50N 50N



10N 10N 10N 10N 10N 10N 10N 10N 10N 10N

The Recommended fastening distance is 1000 mm

### Track Mounting Clamps (PRO, PULSE -Series):



Purchase Code	Type	EAN code	Description	Fmax	Colour	PCS/ Package
KKT3014320	SKB11WLC-1	6410014500634	Clip with height adjust for wire OD 1.3-2.4mm	150N	Grey	20/200
KKT3014321	SKB11WLC-2	6410014500641	Clip with height adjust for wire OD 1.3-2.4mm	150N	Black	20/200
KKT3014322	SKB11WLC-3	6410014500658	Clip with height adjust for wire OD 1.3-2.4mm	150N	White	20/200
KKT3014311	SKB11R-1	6410014500665	Clip with M6 mounting	150N	Grey	20/200
KKT3014312	SKB11R-2	6410014500672	Clip with M6 mounting	150N	Black	20/200
KKT3014313	SKB11R-3	6410014500689	Clip with M6 mounting	150N	White	20/200
KKT3014157	SKB11T-1	6410014500603	Clip for 24mm T-Bar	50N	Grey	20/200
KKT3014158	SKB11T-2	6410014500610	Clip for 24mm T-Bar	50N	Black	20/200
KKT3014159	SKB11T-3	6410014500627	Clip for 24mm T-Bar	50N	White	20/200
KKT30143	SKB12-1	6410014500511	Clamp for Rod and Wire	200N	Grey	20/200
KKT301411	SKB12-2	64100145220564	Clamp for Rod and Wire	200N	Black	20/200
KKT301414	SKB12-3	6410014530518	Clamp for Rod and Wire	200N	White	20/200
KKT3014141	SKB12H-1	6410014522629	Clamp height 29mm	200N	Grey	100
KKT3014152	SKB12H-2	6410014522636	Clamp height 29mm	200N	Black	100
KKT3014142	SKB12H-3	6410014522643	Clamp height 29mm	200N	White	100

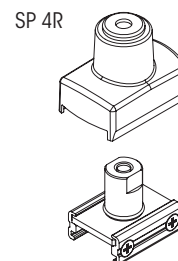
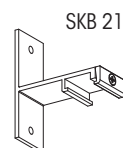
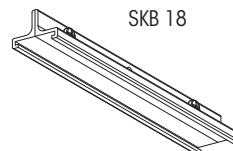
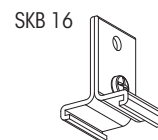
## Track Mounting Clamps (PRO, PULSE -Series):

Purchase Code	Type	EAN code	Description	Fmax	Colour	PCS/ Package
KKT301421	SKB16-1	6410014500535	Suspension clamp	200N	Grey	20/200
KKT3014135	SKB16-2	6410014522650	Suspension clamp	200N	Black	20/200
KKT301427	SKB16-3	6410014530532	Suspension clamp	200N	White	20/200

KKT301429	SKB18-1	6410014500559	Suspension clamp	200N	Grey	10/50
KKT3014139	SKB18-2	6410014522667	Suspension clamp	200N	Black	10/50
KKT301435	SKB18-3	6410014530556	Suspension clamp	200N	White	10/50

KKT301438	SKB21-1	6410014500740	Wall clamp	100N	Grey	5/50
-----------	---------	---------------	------------	------	------	------

KKT301481	SP4R-1	6410014507688	Clamp with M6 mounting	200N	Grey	1/100
KKT301482	SP4R-2	6410014506919	Clamp with M6 mounting	200N	Black	1/100
KKT301484	SP4R-3	6410014507916	Clamp with M6 mounting	200N	White	1/100

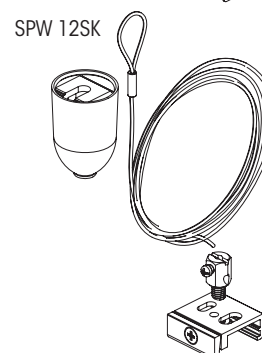
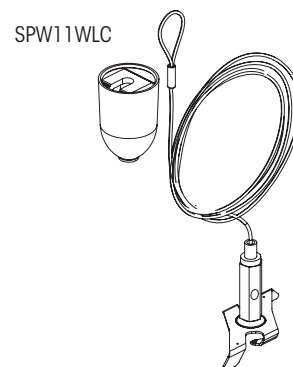
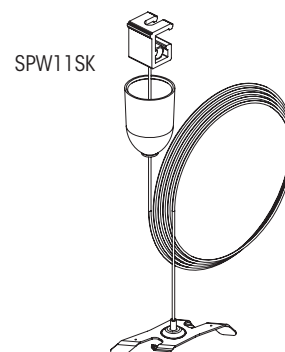


## Wire Suspension Sets (PRO, PULSE -Series):

Purchase Code	Type	EAN code	Description	Fmax	Colour	PCS/ Package
KKT315489	SPW11SK-1/1.5M	6410014500696	Track clip wire set 1.5m	150N	Grey	1/100
KKT315492	SPW11SK-1/3M	6410014500764	Track clip wire set 3m	150N	Grey	1/100
KKT315495	SPW11SK-1/5M	6410014500825	Track clip wire set 5m	150N	Grey	1/100
KKT315490	SPW11SK-2/1.5M	6410014500719	Track clip wire set 1.5m	150N	Black	1/100
KKT315493	SPW11SK-2/3M	6410014500771	Track clip wire set 3m	150N	Black	1/100
KKT315496	SPW11SK-2/5M	6410014500832	Track clip wire set 5m	150N	Black	1/100
KKT315491	SPW11SK-3/1.5M	6410014500733	Track clip wire set 1.5m	150N	White	1/100
KKT315494	SPW11SK-3/3M	6410014500788	Track clip wire set 3m	150N	White	1/100
KKT315497	SPW11SK-3/5M	6410014500849	Track clip wire set 5m	150N	White	1/100

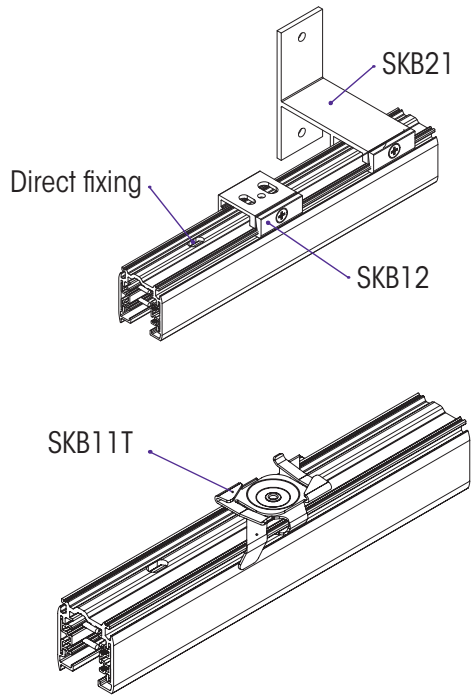
KKT315507	SPW11WLC-1/1.5M	6410014501945	Track clip wire set 1.5m	150N	Grey	1/100
KKT315499	SPW11WLC-1/3M	6410014501952	Track clip wire set 3m	150N	Grey	1/100
KKT315510	SPW11WLC-1/5M	6410014501969	Track clip wire set 5m	150N	Grey	1/100
KKT315508	SPW11WLC-2/1.5M	6410014501976	Track clip wire set 1.5m	150N	Black	1/100
KKT315500	SPW11WLC-2/3M	6410014501983	Track clip wire set 3m	150N	Black	1/100
KKT315511	SPW11WLC-2/5M	6410014501990	Track clip wire set 5m	150N	Black	1/100
KKT315509	SPW11WLC-3/1.5M	6410014502003	Track clip wire set 1.5m	150N	White	1/100
KKT315501	SPW11WLC-3/3M	6410014502010	Track clip wire set 3m	150N	White	1/100
KKT315512	SPW11WLC-3/5M	6410014502027	Track clip wire set 5m	150N	White	1/100

KKT315478	SPW12SK-1/1.5M	6410014522964	Track clamp wire set 1.5m	150N	Grey	1/100
KKT315481	SPW12SK-1/3M	6410014500061	Track clamp wire set 3m	150N	Grey	1/100
KKT315484	SPW12SK-1/5M	6410014500078	Track clamp wire set 5m	150N	Grey	1/100
KKT315479	SPW12SK-2/1.5M	6410014522971	Track clamp wire set 1.5m	150N	Black	1/100
KKT315482	SPW12SK-2/3M	6410014500085	Track clamp wire set 3m	150N	Black	1/100
KKT315485	SPW12SK-2/5M	6410014500092	Track clamp wire set 5m	150N	Black	1/100
KKT315480	SPW12SK-3/1.5M	6410014522988	Track clamp wire set 1.5m	150N	White	1/100
KKT315483	SPW12SK-3/3M	6410014500108	Track clamp wire set 3m	150N	White	1/100
KKT315486	SPW12SK-3/5M	6410014500115	Track clamp wire set 5m	150N	White	1/100



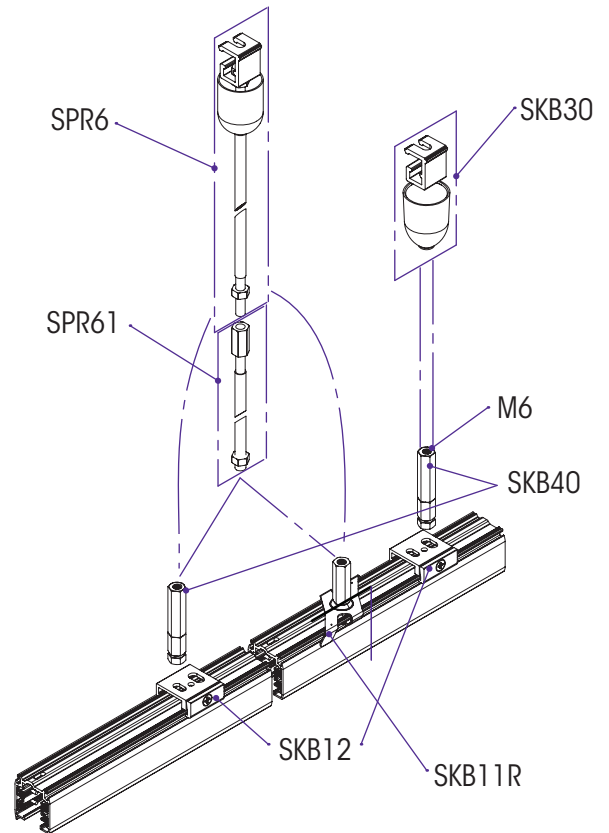
### Global Trac Pro & Pulse – Suspension Options

#### Direct

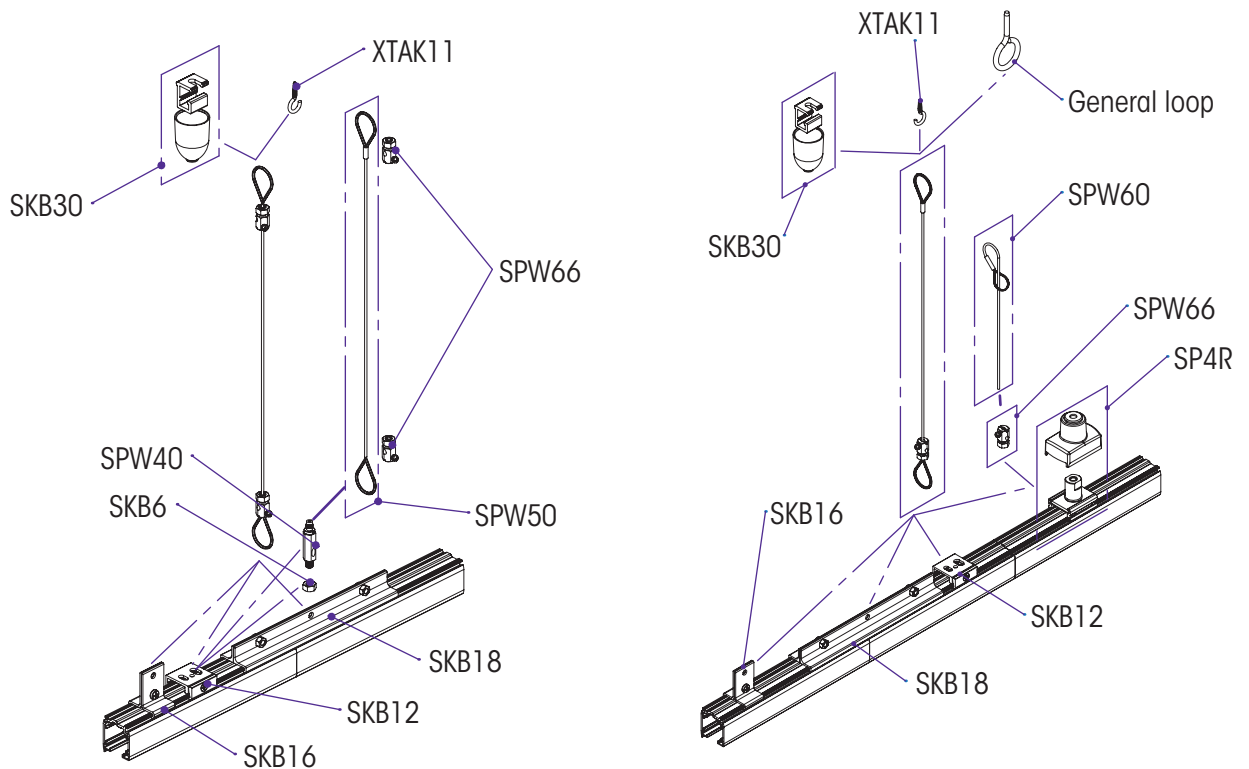


Fmax 50N / Track clip only, T-bar according to the manufacturer. Recommended distance between clips 750mm

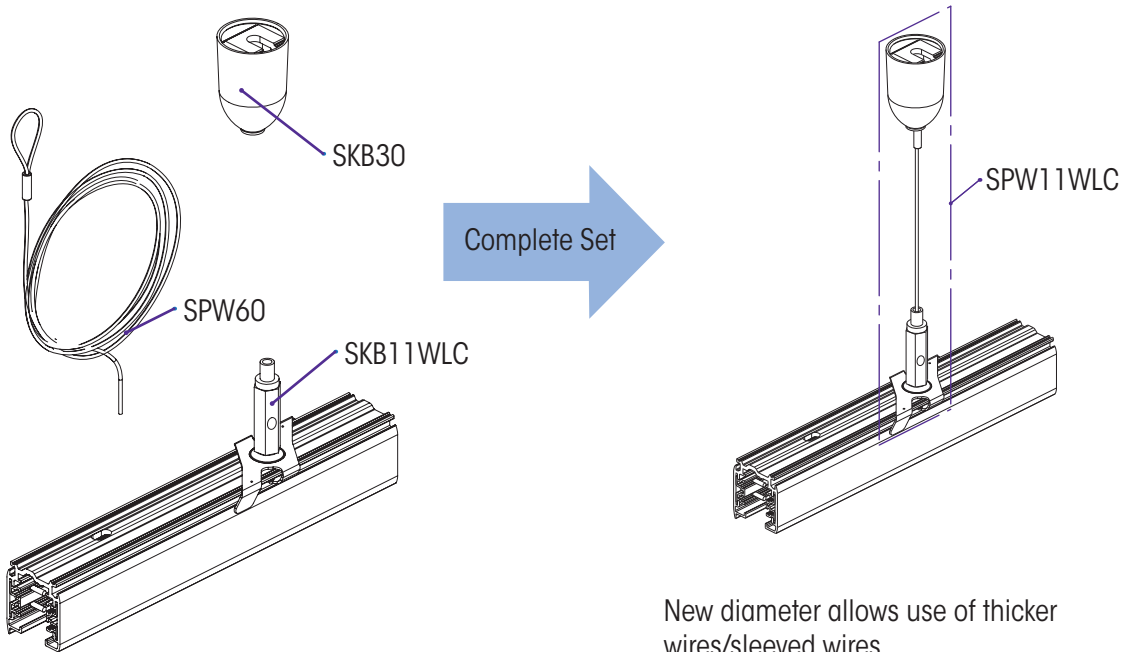
#### Rod Suspension



#### Wire Suspension



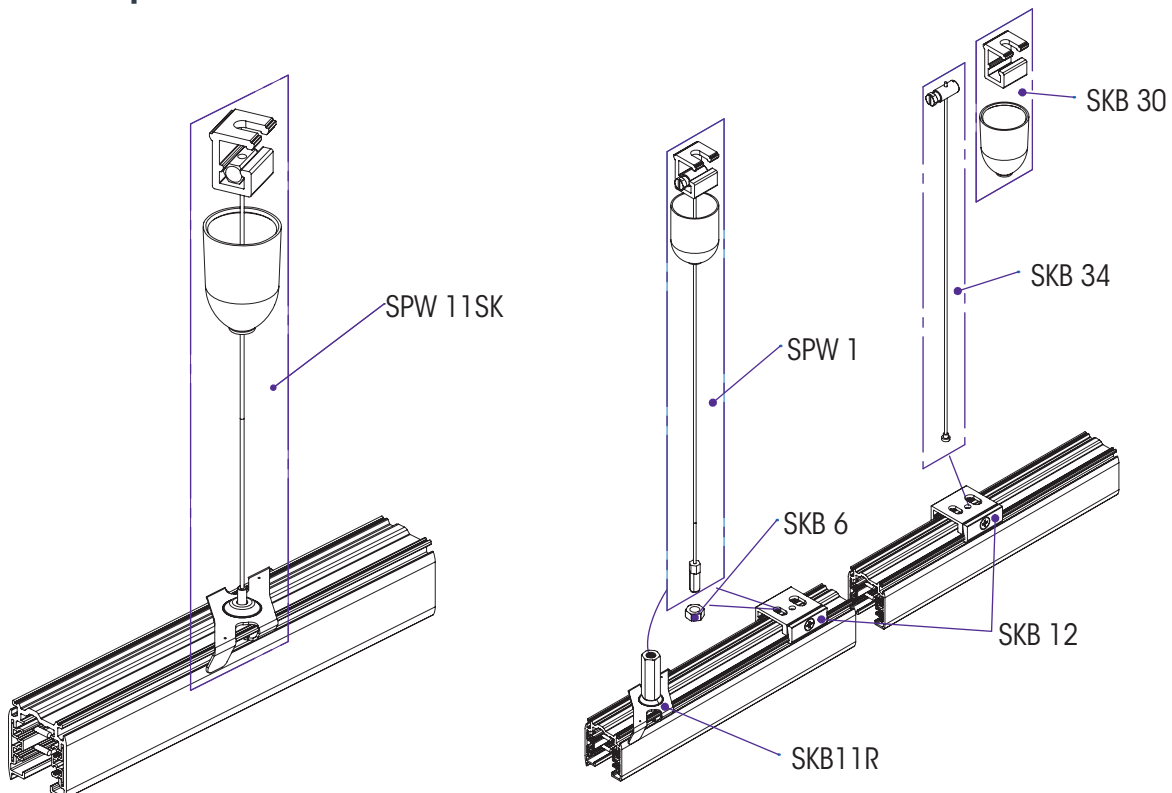
## Wire Suspension set



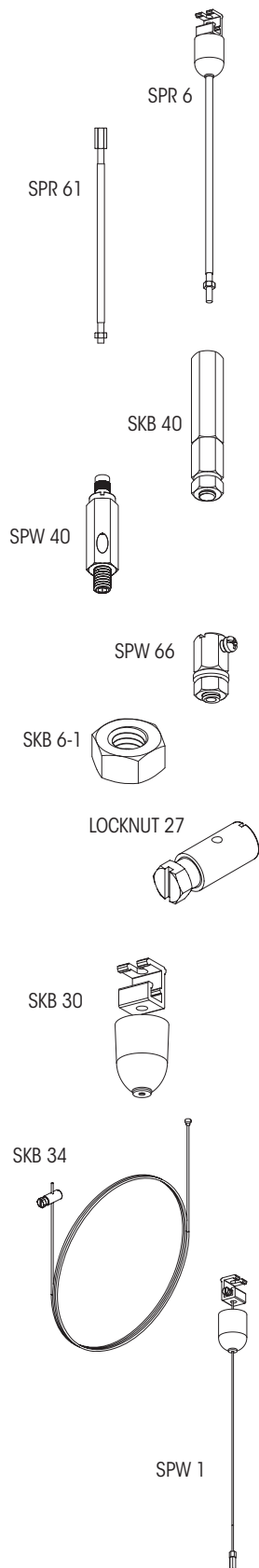
New diameter allows use of thicker wires/sleeved wires

Fmax 100N Steel wire with plastic sleeve 1.0 - 2.4 mm  
 Fmax 150N Steel twisted wire 1.3 - 2.4 mm

## Wire Suspension



### GLOBAL TRAC SUSPENSION PARTS



#### General Suspension Parts (PRO, PULSE, BASE -Series):

Purchase Code	Type	EAN code	Description	Fmax	Colour	PCS / Package
KKT315438	<b>SPR6-2</b>	6410014506872	Rod M6 1M set	200N	Black	10
KKT315440	<b>SPR6-3</b>	6410014507879	Rod M6 1M set	200N	White	10

KKT315435	<b>SPR61-2</b>	6410014506902	Rod M6 extension 1M set	200N	Black	10
KKT315436	<b>SPR61-3</b>	6410014507909	Rod M6 extension 1M set	200N	White	10

KKT315428	<b>SKB40-1</b>	6410014502485	Adjusting sleeve for M6	200N	Steel	10
KKT315460	<b>SPW40-1</b>	6410014502492	Height adjusting for wire 1.5	150N	Steel	10

KKT315467	<b>SPW66-1</b>	6410014535162	Height adjusting for wire 1.5	150N	Steel	100
-----------	----------------	---------------	-------------------------------	------	-------	-----

KKT315431	<b>SKB 6-1</b>	6410014502416	Nut M6	200N	Steel	100
KKT31541	<b>LOCKNUT 27</b>	6410014502126	Lock nut for wire	150N	Steel	100

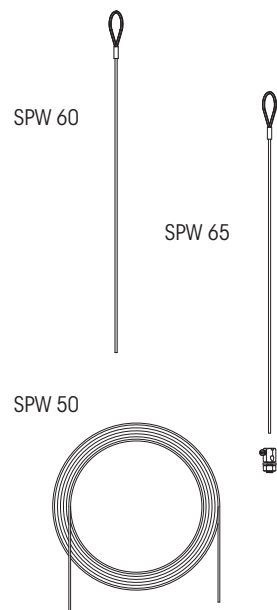
KKT31543	<b>SKB30-1</b>	6410014522742	Ceiling clamp	200N	Grey	1/200
KKT31544	<b>SKB30-2</b>	6410014502447	Ceiling clamp	200N	Black	1/200
KKT31547	<b>SKB30-3</b>	6410014530303	Ceiling clamp	200N	White	1/200

KKT315420	<b>SKB34-1</b>	6410014502348	Wire 1.5M + Locknut 27	150N	Steel	10/200
KKT315421	<b>SKB34-1/3M</b>	6410014522674	Wire 3M + Locknut 27	150N	Steel	10/200
KKT315423	<b>SKB34-1/5M</b>	6410014522681	Wire 5M + Locknut 27	150N	Steel	10/200

KKT315443	<b>SPW1-1</b>	6410014522698	Wire 1.5M with M6 mounting	150N	Grey	1/100
KKT315441	<b>SPW1-1/3M</b>	6410014500474	Wire 1.5M with M6 mounting	150N	Grey	1/100
KKT315450	<b>SPW1-1/5M</b>	6410014500481	Wire 1.5M with M6 mounting	150N	Grey	1/100
KKT315444	<b>SPW1-2</b>	6410014506865	Wire 3M with M6 mounting	150N	Black	1/100
KKT315445	<b>SPW1-2/3M</b>	6410014522704	Wire 3M with M6 mounting	150N	Black	1/100
KKT315447	<b>SPW1-2/5M</b>	6410014522711	Wire 3M with M6 mounting	150N	Black	1/100
KKT315452	<b>SPW1-3</b>	6410014507862	Wire 5M with M6 mounting	150N	White	1/100
KKT315453	<b>SPW1-3/3M</b>	6410014522728	Wire 5M with M6 mounting	150N	White	1/100
KKT315455	<b>SPW1-3/5M</b>	6410014522735	Wire 5M with M6 mounting	150N	White	1/100

## General Suspension Parts (PRO, PULSE, BASE -Series):

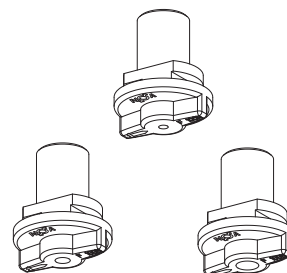
Purchase Code	Type	EAN code	Description	Fmax	Colour	PCS / Package
KKT3154661	SPW60-1	6410014501891	Wire 1.5M loop	150N	Steel	1/100
KKT3154662	SPW60-1/3M	6410014501907	Wire 3M loop	150N	Steel	1/100
KKT3154663	SPW60-1/5M	6410014501914	Wire 5M loop	150N	Steel	1/100
KKT315466	SPW65-1	6410014533151	Wire 1.5M loop+ SPW66	150N	Steel	1/100
KKT31546633	SPW65-1/3M	6410014501921	Wire 3M loop + SPW66	150N	Steel	1/100
KKT31546655	SPW65-1/5M	6410014501938	Wire 5M loop + SPW66	150N	Steel	1/100
KKT315461	SPW50-1	6410014502508	Wire 50M roll	150N	Steel	1/10



## Suspension From Track (Pro, Pulse –Series):

KKT3014132	XTAK 142-1	6410014507435	2mm hook suspension	100N	Grey	50/250
KKT3014126	XTAK 142-2	6410014506421	2mm hook suspension	100N	Black	50/250
KKT3014127	XTAK 142-3	6410014507428	2mm hook suspension	100N	White	50/250
KKT3014133	XTAK 144-1	6410014507459	M4mm nut/rod suspension	100N	Grey	50/250
KKT3014128	XTAK 144-2	6410014506445	M4mm nut/rod suspension	100N	Black	50/250
KKT3014129	XTAK 144-3	6410014507442	M4mm nut/rod suspension	100N	White	50/250
KKT3014134	XTAK 146-1	6410014507473	M6mm nut/rod suspension	100N	Grey	50/250
KKT3014130	XTAK 146-2	6410014506469	M6mm nut/rod suspension	100N	Black	50/250
KKT3014131	XTAK 146-3	6410014506466	M6mm nut/rod suspension	100N	White	50/250

**Hook base**  
XTAK 142, 144, 146



## General Track Accessories:

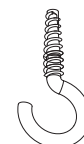
KKT3011131	XTSF40-1	6410014500436	Outlet/cover plate for feed	-	Grey	1/100
KKT3012192	XTSF40-2	6410014506636	Outlet/cover plate for feed	-	Black	1/100
KKT3012193	XTSF40-3	6410014507633	Outlet/cover plate for feed	-	White	1/100

XTSF 40



KKT3014116	XTAK 11-1	6410014500795	Hook 2mm, XTAK142 & GBA14	100N	Steel	100/1000
------------	-----------	---------------	---------------------------	------	-------	----------

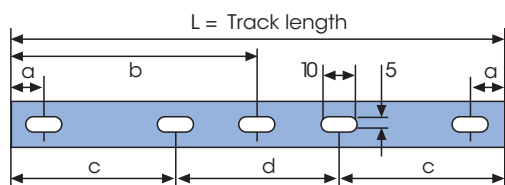
**Hook**  
XTAK 11



- *Wide Range of Mounting Accessories For All Suspension Needs*

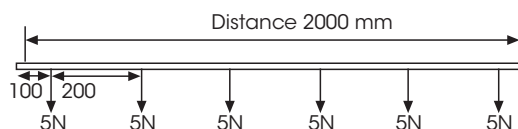
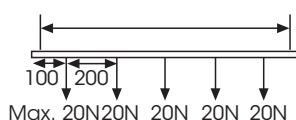
## GLOBAL TRAC SUSPENSION PARTS BASE

### Predrilled Mounting Holes for Base Tracks:



L/mm	a/mm	b/mm	c/mm	d/mm
1000	250			
2000	250	1000		
3000	250		1000	1000

### Load Capacity:

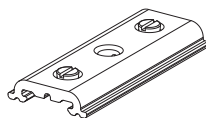


The Recommended fastening distance is 1000 mm

GBS 33



GBS 18



### Track Mounting Clamps (BASE -Series):

Purchase Code	Type	EAN code	Description	Fmax	Colour	PCS/ Package
KKT30344	<b>GBS18-9</b>	6410014508180	Long clamp with M6 thread	200N	Alu	10/200
KKT30345	<b>GBS33-9</b>	6410014508333	Short clamp with M6 thread	200N	Alu	20/200

Hook base

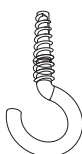
GBA 14



### Suspension from Track (BASE -Series):

KKT30341	<b>GBA14-1</b>	6410014509811	2mm hook suspension	100N	Grey	50/250
KKT30342	<b>GBA14-2</b>	6410014508807	2mm hook suspension	100N	Black	50/250
KKT30343	<b>GBA14-3</b>	6410014509804	2mm hook suspension	100N	White	50/250

Hook  
XTAK 11

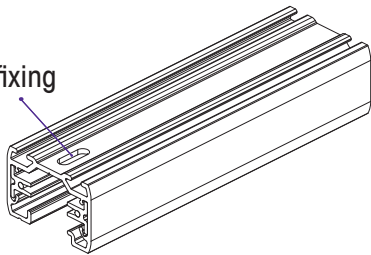


KKT3014116	<b>XTAK 11-1</b>	6410014500795	Hook 2mm, XTAK142 & GBA14	100N	Steel	100/1000
------------	------------------	---------------	---------------------------	------	-------	----------

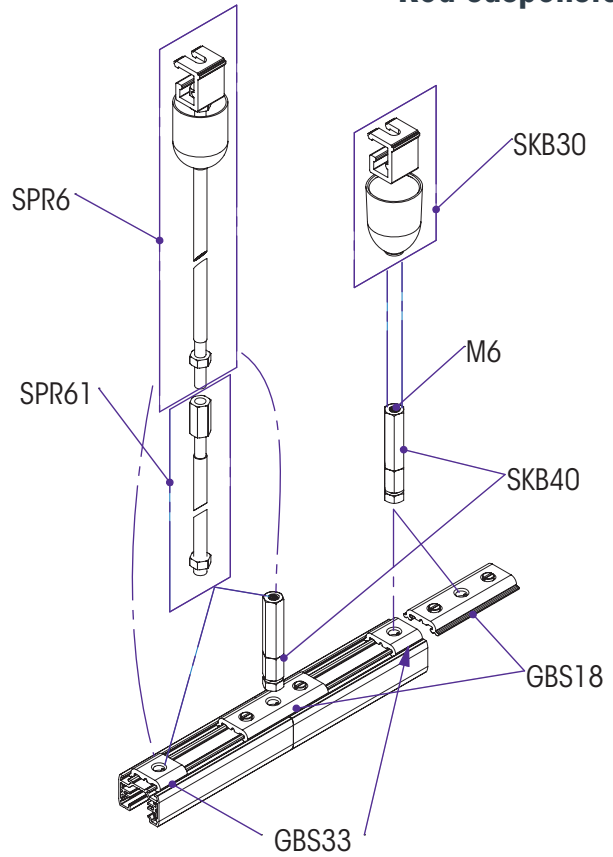
# Global Trac Base - Suspension Options

## Direct

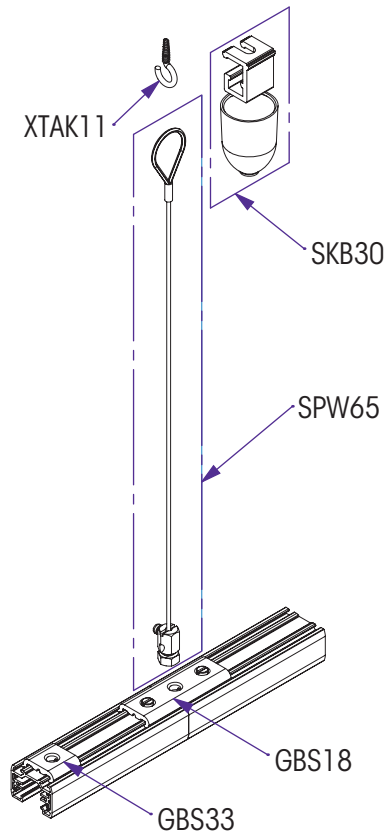
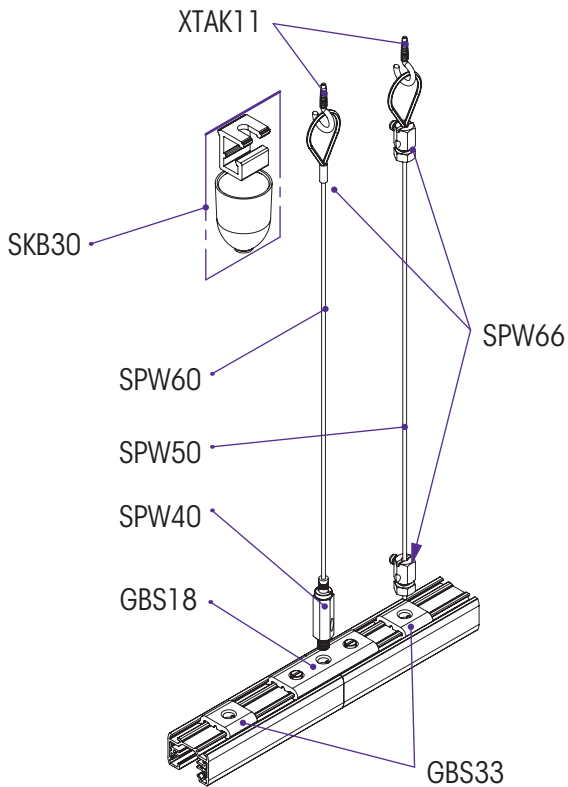
Direct fixing



## Rod suspension



## Wire Suspension





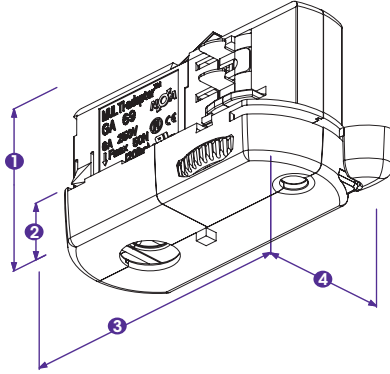
## 3-CIRCUIT MULTI ADAPTER™

### Adapters 3-Circuit Pro:

Purchase Code	Type	EAN code	Description	Colour	PCS /Package
KKT30131	GA69-1	6410014530747	6A 50N Slot connection	Grey	100
KKT30132	GA69-2	6410014520694	6A 50N Slot connection	Black	100
KKT30133	GA69-3	6410014530693	6A 50N Slot connection	White	100

#### GA 69

1. 40 mm 2. 14 mm  
3. 70 mm 4. 32 mm



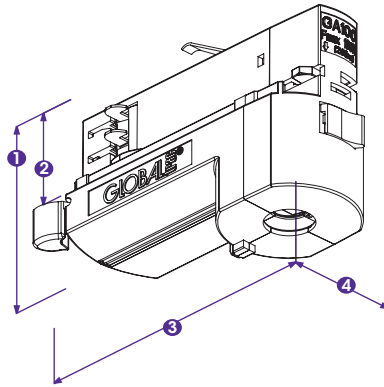
#### GA 69 Wiring Options

- To be used with stranded 0.5 ... 1.0mm<sup>2</sup> wire
- Slot Connection. The conductors are pressed into the connections by the connector lid or by the cable mounting tool. GA 69CT.
- Optional cable grip CG 69.

KKT301393	GA100-1	6410014530006	10A 100N Slot connection	Grey	1/100
KKT301394	GA100-2	6410014531003	10A 100N Slot connection	Black	1/100
KKT301395	GA100-3	6410014532000	10A 100N Slot connection	White	1/100
KKT3013104	GA100L-1	6410014501242	10A 100N Slot connection	Grey	100
KKT3013105	GA100L-2	6410014501259	10A 100N Slot connection	Black	100
KKT3013106	GA100L-3	6410014501266	10A 100N Slot connection	White	100

#### GA 100

1. 53 mm 2. 26 mm  
3. 84 mm 4. 32 mm



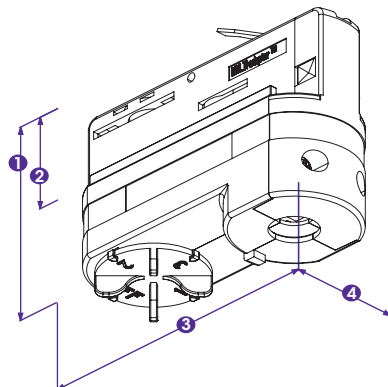
#### GA 100 Wiring Options

- To be used with stranded 0.5 ... 1.0mm<sup>2</sup> wire
- Slot Connection. The conductors are pressed into the connectors by the connector lid or by the cable mounting tool. GB 66CT.
- Optional cable grip CG 100.

KKT301351	XTSA68-1	6410014530730	10A 100N Screw connection	Grey	1/100
KKT301352	XTSA68-2	6410014520687	10A 100N Screw connection	Black	1/100
KKT301357	XTSA68-3	6410014530686	10A 100N Screw connection	White	1/100
KKT301362	XTSA68L-1	6410014501273	10A 100N Screw connection	Grey	100
KKT301363	XTSA68L-2	6410014501280	10A 100N Screw connection	Black	100
KKT301365	XTSA68L-3	6410014501297	10A 100N Screw connection	White	100

#### XTSA 68

1. 55 mm 2. 26 mm  
3. 84 mm 4. 32 mm



#### XTSA 68 Wiring Options

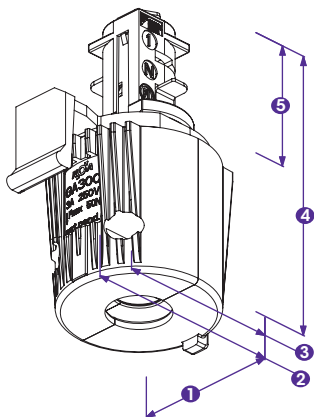
- To be used with stranded 0.5 ... 1.5mm<sup>2</sup> wire
- Optional cable grip CG 75

# 3-CIRCUIT ADAPTERS

Purchase Code	Type	EAN code	Description	Colour	PCS /Package
KKT301402	GA300-1	6410014530433	3A 50N Slot connection	Grey	1/100
KKT301403	GA300-2	6410014530440	3A 50N Slot connection	Black	1/100
KKT301404	GA300-3	6410014530457	3A 50N Slot connection	White	1/100
KKT301405	GA300L-1	6410014530464	3A 50N Slot connection	Grey	100
KKT301406	GA300L-2	6410014530471	3A 50N Slot connection	Black	100
KKT301407	GA300L-3	6410014530488	3A 50N Slot connection	White	100
KKT3014051	GA300PP-1	6410014501303	Mechanical support only	Grey	100
KKT3014052	GA300PP-2	6410014501310	Mechanical support only	Black	100
KKT3014053	GA300PP-3	6410014501327	Mechanical support only	White	100

## GA 300

1. 32 mm 2. 44 mm 3. 36 mm  
4. 62 mm 5. 27 mm



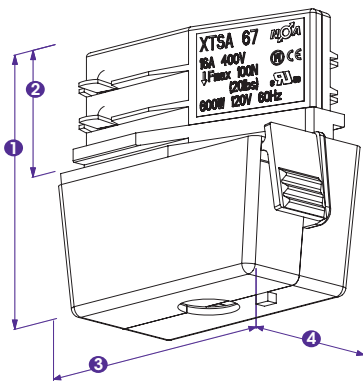
## GA 300 Wiring Options

- To be used with stranded 0.5 ... 1.0mm<sup>2</sup> wire
- Slot Connection. The conductors are pressed into the connections by the Slot Plug (included)
- Optional cable grip CG 100

KKT3013461	XTSA67-1	6410014500467	16A 100N Screw connection	Grey	1/100
KKT301346	XTSA67-2	6410014520670	16A 100N Screw connection	Black	1/100
KKT301348	XTSA67-3	6410014530679	16A 100N Screw connection	White	1/100
KKT3013460	XTSA67L-2	6410014501334	16A 100N Screw connection	Black	100
KKT301349	XTSA67L-3	6410014501341	16A 100N Screw connection	White	100
KKT3013120	XTSA67S-2	6410014500443	Schuko adapter	Black	1/50
KKT3013100	XTSA67S-3	6410014531676	Schuko adapter	White	1/50
KKT315498	XTSK 17-1	6410014501358	Mechanical support only	Grey	1/100
KKT315462	XTSK 17-2	6410014520175	Mechanical support only	Black	1/100
KKT315464	XTSK 17-3	6410014530174	Mechanical support only	White	1/100

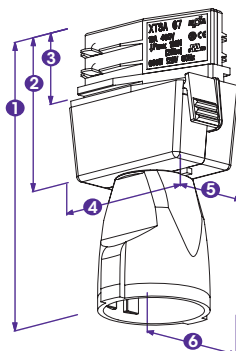
## XTSA 67

1. 60 mm 2. 28 mm 3. 60 mm 4. 32 mm



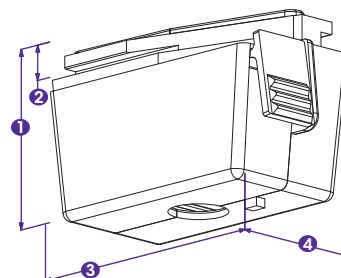
## XTSA 67S

1. 112 mm 2. 60 mm 3. 28 mm  
4. 60 mm 5. 32 mm 6. 47 mm



## XTSK 17

1. 40 mm 2. 8 mm 3. 60 mm 4. 32 mm



\*Mechanical support only

## XTSA 67 Wiring Options

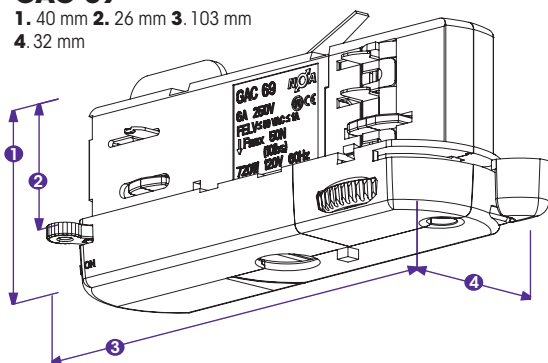
- 1-Circuit: Connecting max. 1.5 ... 2.5mm<sup>2</sup> wire
- 3-Phase: Connecting max. 5x 1.5mm<sup>2</sup> wire

### PULSE DALI 3-CIRCUIT ADAPTERS

Purchase Code	Type	EAN code	Description	Colour	PCS /Package
KKT30691	GAC69-1	6410014501860	6A, 250V, 50N. Slot connection	Grey	1/50
KKT30692	GAC69-2	6410014501877	6A 50N Slot connection	Black	1/50
KKT30693	GAC69-3	6410014501884	6A 50N Slot connection	White	1/50
KKT30694	GAC69L-1	6410014501365	6A 50N Slot connection	Grey	50
KKT30695	GAC69L-2	6410014501372	6A 50N Slot connection	Black	50
KKT30696	GAC69L-3	6410014501389	6A 50N Slot connection	White	50

#### GAC 69

1. 40 mm 2. 26 mm 3. 103 mm  
4. 32 mm



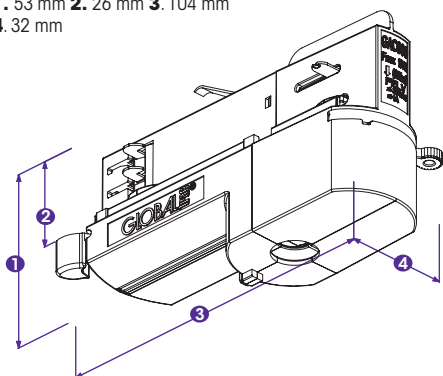
#### GAC 69 Wiring Options:

- To be used with stranded 0.5 ... 1.0mm<sup>2</sup> wire
- Slot Connection. The conductors are pressed into the connectors by the connector lid or by the cable mounting tool, GA 69CT.
- Optional cable grip CG 69.
- Control signal with screw connectors 0.5 ... 1.0mm<sup>2</sup> wire

KKT306001	GAC600-1	6410014532925	10A 100N Slot connection	Grey	1/50
KKT306002	GAC600-2	6410014532932	10A 100N Slot connection	Black	1/50
KKT306003	GAC600-3	6410014532949	10A 100N Slot connection	White	1/50
KKT306011	GAC600L-1	6410014501396	10A 100N Slot connection	Grey	50
KKT306012	GAC600L-2	6410014501402	10A 100N Slot connection	Black	50
KKT306013	GAC600L-3	6410014501419	10A 100N Slot connection	White	50
KKT306004	GAC600LX-1	6410014501426	10A 100N Slot connection	Grey	50
KKT306005	GAC600LX-2	6410014501433	10A 100N Slot connection	Black	50
KKT306006	GAC600LX-3	6410014501440	10A 100N Slot connection	White	50

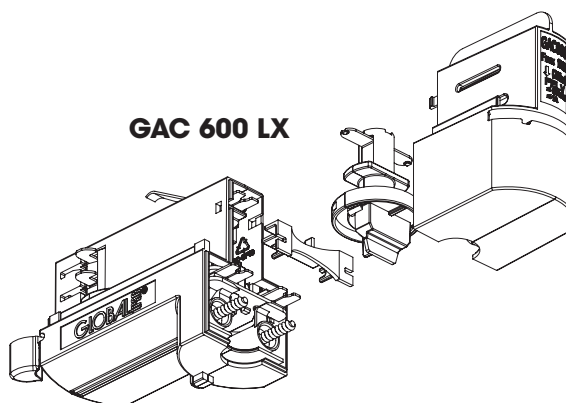
#### GAC 600

1. 53 mm 2. 26 mm 3. 104 mm  
4. 32 mm



#### GAC 600 Wiring Options:

- To be used with stranded 0.5 ... 1.0mm<sup>2</sup> wire
- Slot Connection. The conductors are pressed into the connectors by the connector lid or by the cable mounting tool, GB 66CT.
- Optional cable grip CG 100.
- Control signal with screw connectors 0.5 ... 0.7mm<sup>2</sup> wire

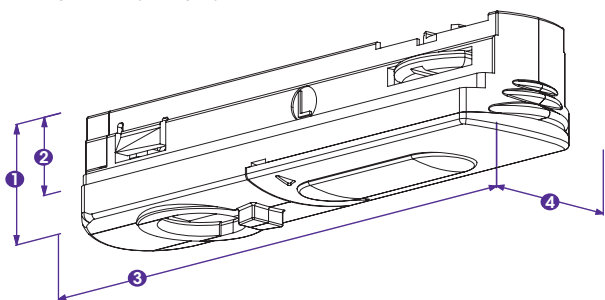


# 1-CIRCUIT ADAPTERS

Purchase Code	Type	EAN code	Description	Colour	PCS /Package
KKT30333	<b>GB66-1</b>	6410014509651	6A 30N Slot connection	Grey	1/100
KKT30334	<b>GB66-2</b>	6410014508661	6A 30N Slot connection	Black	1/100
KKT30336	<b>GB66-3</b>	6410014509668	6A 30N Slot connection	White	1/100
KKT303339	<b>GB66L-1</b>	6410014501457	6A 30N Slot connection	Grey	100
KKT303317	<b>GB66L-2</b>	6410014501464	6A 30N Slot connection	Black	100
KKT303319	<b>GB66L-3</b>	6410014501471	6A 30N Slot connection	White	100

## GB 66

1. 16 mm 2. 10 mm 3. 78 mm 4. 19 mm



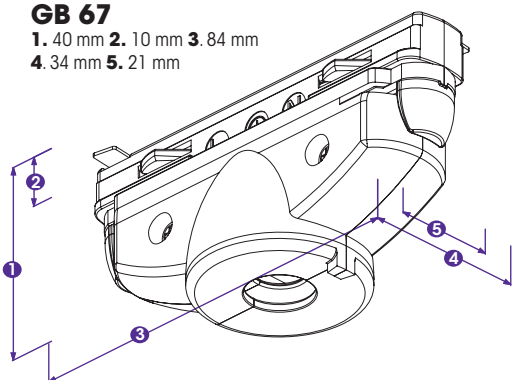
### GB 66 Wiring Options:

- To be used with stranded 0.5 ... 1.0mm<sup>2</sup> wire
- Slot Connection. The conductors are pressed into the connectors by the connector lid or by the cable mounting tool. GB 66CT.

KKT303321	<b>GB67-1</b>	6410014509736	16A 100N Screw connection	Grey	1/100
KKT303322	<b>GB67-2</b>	6410014508678	16A 100N Screw connection	Black	1/100
KKT303323	<b>GB67-3</b>	6410014509675	16A 100N Screw connection	White	1/100
KKT303327	<b>GB67L-1</b>	6410014501488	16A 100N Screw connection	Grey	100
KKT303328	<b>GB67L-2</b>	6410014501495	16A 100N Screw connection	Black	100
KKT303329	<b>GB67L-3</b>	6410014501501	16A 100N Screw connection	White	100
KKT3033271	<b>GB67M-1</b>	6410014500214	16A 100N Screw connection	Grey	100
KKT3033281	<b>GB67M-2</b>	6410014500221	16A 100N Screw connection	Black	100
KKT3033291	<b>GB67M-3</b>	6410014500238	16A 100N Screw connection	White	100
KKT303346	<b>GB67S-2</b>	6410014500450	Schuko adapter	Black	1/50
KKT303340	<b>GB67S-3</b>	6410014509682	Schuko adapter	White	1/50

## GB 67

1. 40 mm 2. 10 mm 3. 84 mm  
4. 34 mm 5. 21 mm

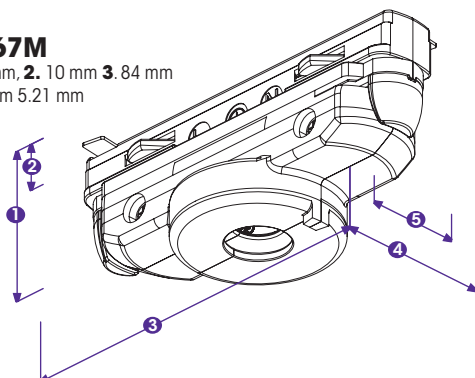


### GB 67 Wiring Options:

- 1-Circuit: Connecting max. 1.5 ... 2.5mm<sup>2</sup> wire
- Optional cable grip CG 69 (Not suitable for GB 67M)

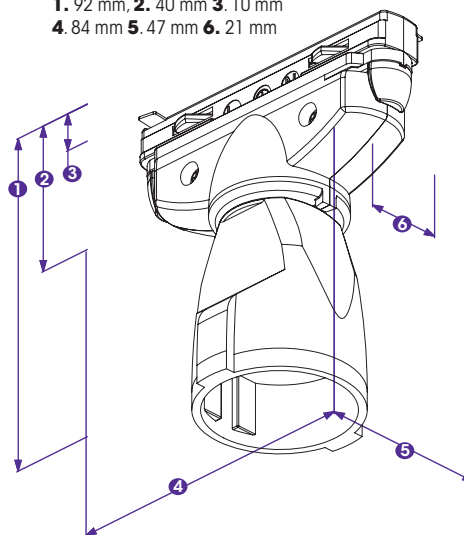
## GB 67M

1. 33 mm 2. 10 mm 3. 84 mm  
4. 34 mm 5. 21 mm



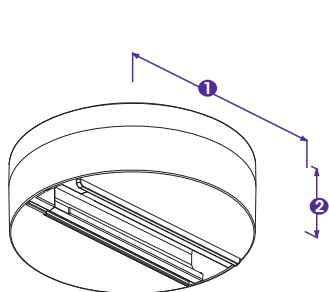
## GB 67S

1. 92 mm 2. 40 mm 3. 10 mm  
4. 84 mm 5. 47 mm 6. 21 mm

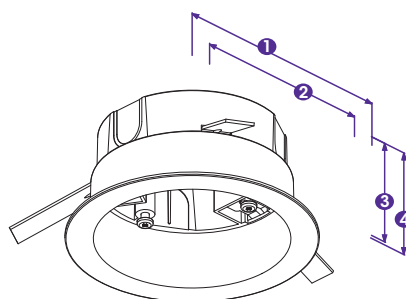


## FIX POINT™ ADAPTER CONNECTORS

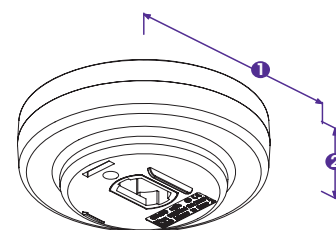
Purchase Code	Type	EAN code	Description	Colour	PCS /Package
KKT301318	GA70-1	6410014530921	Suitable for GA69, GA100, XTSA68, XTSA67	Grey	1/50
KKT301319	GA70-2	6410014520939	Suitable for GA69, GA100, XTSA68, XTSA67	Black	1/50
KKT301322	GA70-3	6410014530938	Suitable for GA69, GA100, XTSA68, XTSA67	White	1/50
KKT301377	XTSA 71-1	6410014530976	Recessed box for GA70	Grey	1/25
KKT301378	XTSA 71-2	6410014530960	Recessed box for GA70	Black	1/25
KKT301383	XTSA 71-3	6410014520969	Recessed box for GA70	White	1/25
KKT3014021	GA30-1	6410014500122	suitable for GA300	Grey	1/50
KKT3014031	GA30-2	6410014500139	suitable for GA300	Black	1/50
KKT3014041	GA30-3	6410014500146	suitable for GA300	White	1/50



**GA 70**  
1. 100 mm 2. 32 mm



**XTSA 71**  
1. 130 mm 2. 105 mm 3. 58 mm 4. 60 mm

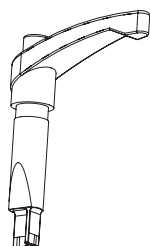


**GA 30**  
1. 100 mm 2. 32 mm

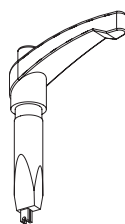
## ADAPTER ACCESSORIES

Purchase Code	Type	EAN code	Description	PCS /Package
KKT301630	GA69CT	6410014522520	Slot connection tool: GA69, GAC69	1/50
KKT303316	GB66CT	6410014522513	Slot connection tool: GA100, GAC600, GB66	1/50
KKT301625	CG69	6410014530785	Strain relief: GA69, GAC69, GB67	100/1000
KKT301638	CG100	6410014530792	Strain relief: GA100, GAC600, GA300	100/1000
KKT301627	CG75	6410014530778	Strain relief: XTSA68	100/1000

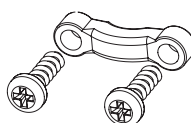
**GA 69CT**



**GB 66CT**



**CG 69**



**CG 100**



**CG 75**



# NIPPLES FOR 1- & 3-C ADAPTERS

Suitable for adapters

Purchase Code	Type	EAN code	Thread	H mm	Ø ID mm	Suitable for adapters		Color	Suitable for adapters							Pcs/ Package		
						XTSA510	XTSA513		GA69	GAC69	GA100	GAC600	GA300	XTSA68	XTSA67		GB67	GB67M
<b>Fixed nipple</b>																		
KKT30161	XTS 56/8.6-9	6410014522568	M13	8.6	9.6		x	Alum	x	x			x	x				100/500
KKT30164	XTS 58/8-9	6410014501716	M10	8	7.4	x		Alum	x	x	x	x	x					100/500
KKT301646	GA 510-1	6410014500344			7			Grey	x	x		x	x					100/500
KKT301628	GA 510-2	6410014520861			7			Black	x	x		x	x					100/500
KKT301629	GA 510-3	6410014530860			7			White	x	x		x	x					100/500
KKT30371	GB 510-1	6410014500351			7			Grey							x			100/500
KKT30369	GB 510-2	6410014508586			7			Black							x			100/500
KKT303610	GB 510-3	6410014509583			7			White							x			100/500

## Rotating nipple

KKT301613	XTSA 55/12-9	6410014501556	M13	12	9			Alum	x	x		x	x		x			100/500
KKT301620	XTSA 57/8-9	6410014501594	M10	8	7.4	x		Alum	x	x	x	x	x		x			100/500
KKT301637	XTSA 57/8-9DD	6410014522582	M10	8	6.9	x		Alum	x	x	x	x	x		x			100/500
KKT301617	XTSA 57/12-9	6410014501570	M10	12	7.4			Alum	x	x	x	x	x		x			100/500
KKT301615	XTSA 57/12-2	6410014520922	M10	12	7.4			Black	x	x	x	x	x		x			100/500
KKT301639	XTSA 57/17-9	6410014500375	M10	17	7.4			Alum	x	x	x	x	x		x			100/500
KKT301634	XTSA 63-9	6410014522599	M10	10	7			Alum	x	x	x	x	x		x			100/500
KKT30361	GA 57/10-1	6410014509569	M10	10	7	x		Grey							x			100/500
KKT30362	GA 57/10-2	6410014508579	M10	10	7	x		Black							x			100/500
KKT30364	GA 57/10-3	6410014509576	M10	10	7	x		White							x			100/500
KKT30366	GA 57/10-9	6410014508975	M10	10	7	x		Alum							x			100/500

## Nipple joint

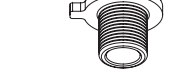
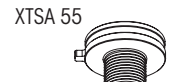
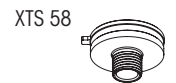
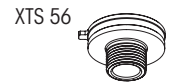
KKT3014034	GA 37-1	6410114500153		11	7.6			Grey	x	x	x	x	x	x	x	x		1/100
KKT3014035	GA 37-2	6410114500160		11	7.6			Black	x	x	x	x	x	x	x	x		1/100
KKT3014036	GA 37-3	6410114500177		11	7.6			White	x	x	x	x	x	x	x	x		1/100
KKT3014037	GA 37M13-1	6410114500276	M13		7.6	x		Grey	x	x		x	x	x	x	x		1/100
KKT3014038	GA 37M13-2	6410114500283	M13		7.6	x		Black	x	x		x	x	x	x	x		1/100
KKT3014039	GA 37M13-3	6409914500290	M13		7.6	x		White	x	x		x	x	x	x	x		1/100

## Strain relief

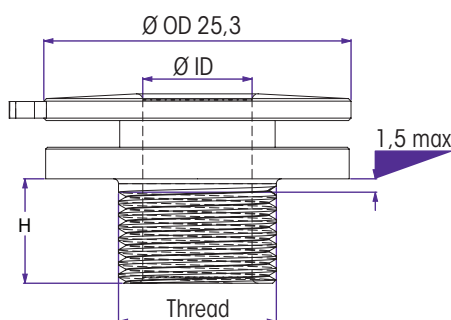
KKT30165	XTSA 510-1	6410014500320	M10	9	7			Grey										100/500
KKT30167	XTSA 510-2	6410014520908	M10	9	7			Black										100/500
KKT30168	XTSA 510-3	6410014530907	M10	9	7			White										100/500
KKT301621	XTSA 513-1	6410014500337	M13	9	9.2			Grey										100/500
KKT301610	XTSA 513-2	6410014520915	M13	9	9.2			Black										100/500
KKT301611	XTSA 513-3	6410014530914	M13	9	9.2			White										100/500

## Nut

KKT301632	GAM 10-9	6410014501754	M10															100/500
KKT301633	GAM 13-9	6410014501761	M13															100/500



Dimensions for Fixed Nipples



Dimensions for Rotating Nipples

