



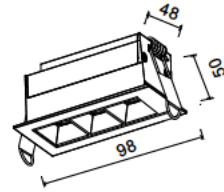
INSTALLATION MANUAL

KARIZMA luce

TRE

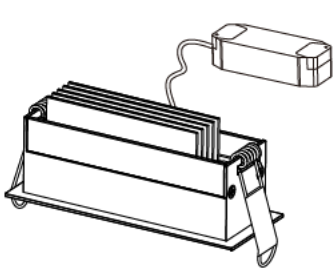
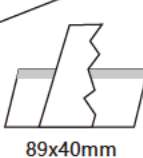
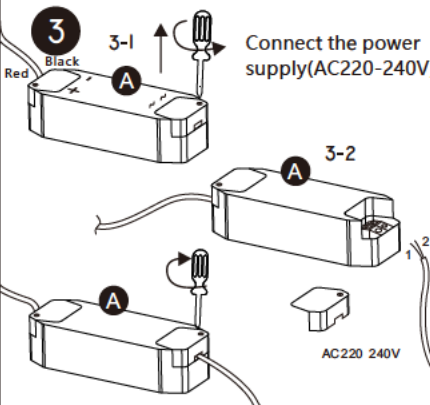
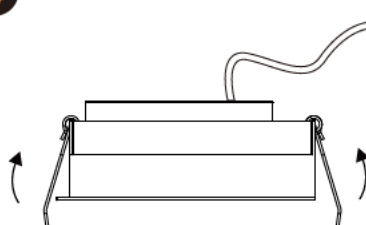
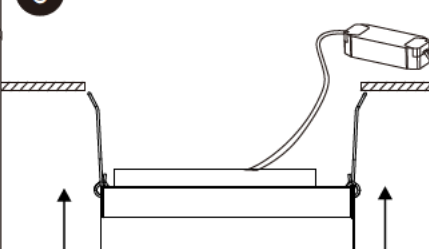
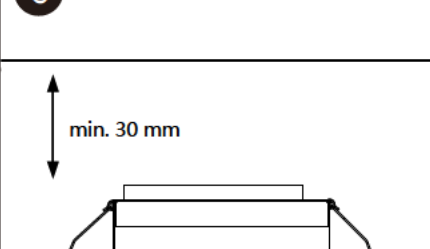
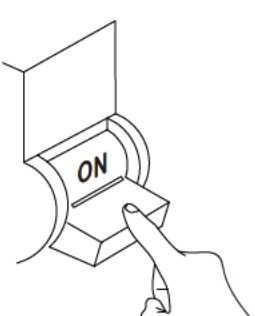
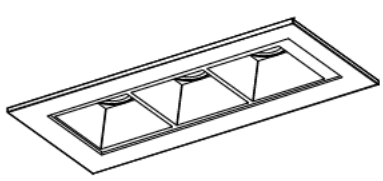


RoHS



Do not operate with power supply connected.

8W MAX | AC220 240V | 50/60Hz | IP20 | Die cast

<p>1</p> 	<p>2</p>  <p>89x40mm</p> <p>On the ceiling to open a 89x40mm diameter hole.</p>	<p>3</p>  <p>Connect the power supply (AC220-240V).</p>
<p>4</p>  <p>Along the arrow direction pull on the sketch clamp.</p>	<p>5</p>  <p>Clip upward and the product placement hole in the ceiling.</p>	<p>6</p>  <p>min. 30 mm</p> <p>Fixed drive box, the installation is complete.</p>
<p>7</p>  <p>Switch on the power, lighting.</p>	<p>8</p> 	

Warnings:

1. Make sure that the product is installed properly before connecting to electricity.
2. Do not cover the fitting.
3. Maintenance and installation should only be carried out by a professional electrician.