



Coled Round

Technical details

- Led's luminaire in two heights, 700mm, 1000mm, complete with base for plinth/floor installation
- Silicone gaskets
- Polyester powder coating after a treatment specific for weathering resistance
- N°76 LED's and PCB in FR4
- LED's circuit mains powered
- A2 stainless steel screws
- Plastic PG9 cable gland with anti-condensation osmotic valve

Top cover

- Anodised and painted die-cast aluminium top cover

Diffuser

- Non yellowing traslucent PMMA (acrylic) diffuser

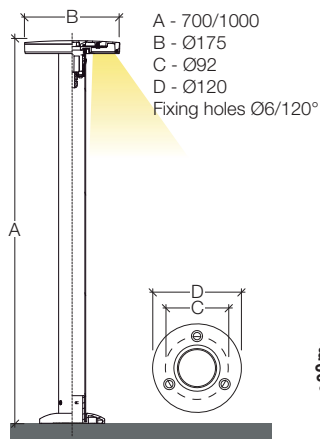
Housing

- Anodised and painted extruded aluminium housing

Base

- Painted reinforced thermoplastic base for plinth or floor installation

Dimensions	K/Power	Metallic grey RAL 9006	Anthracite RAL 7016 textured	
Ø175x700mm	4000K - 15W	1061.282G	1061.282S	1
	3000K - 15W	1061.284G	1061.284S	1
Ø175x1000mm	4000K - 15W	1061.382G	1061.382S	1
	3000K - 15W	1061.384G	1061.384S	1



Compliance with EU regulatory requirements

Colors:

- Anthracite RAL 7016
- Grey RAL 9006

Warm	Cold	H2O Stop	IK	Insulation class	Cut off	Guarantee
3000K/4000K		IP65	IK05		Yes	5 years



Data can be changed according to technological developments. For the latest updates we recommend you to visit our website marecoluce.it

MADE IN ITALY

OUTDOOR RESIDENTIAL
LUMINAIRE